

AVZ103-R202

Outdoor drain channel 100 mm with metal frame and cast iron grid C250

Application

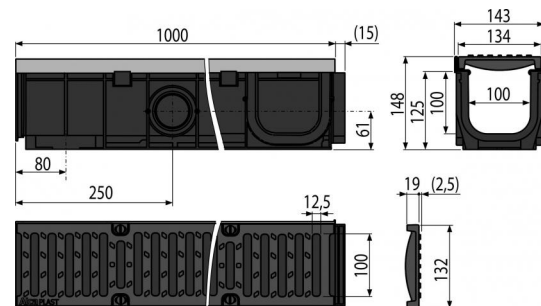
For drainage of professional parking areas for passenger cars, pedestrian zones, side bands on roads and adjacent sidewalks

Features

- Numerous ribbing for a firm fixation within surrounding material
- The drain can be simply cut in half to form two equal parts
- Metal vertical flange reinforces the drain edges
- The cover of the side opening can also be used as an inlet connector – Ø75 mm
- Material with UV stabilizer against aging, fading and degradation of plastic
- Material: polypropylene filled with talc resistant to mechanical, chemical and thermal damage
- Modular system – optional connection to form "I", "L", "T" or "X" shapes
- Prepared slots for using the locking bars to anchor the drain in concrete
- Ready for optional use of the odour trap with a grid for collection of the dirt
- Water connection from the side of the drain is possible at four locations – Ø50 mm
- Sophisticated and solid locking mechanism for simple connection of the individual drains
- Robust construction – self-supporting
- Cast iron grid – fixed to the drain with eight pcs of stainless steel screws, inlet slit width 12.5 mm
- Easy access to the drain – easy to clean
- Bottom outlet waste connection Ø110 mm
- Lock system allows easy connecting without additional fixing elements

Scope of supply

- Installation spacer 4 pcs
- Cast iron grid – 2x0.5 m – load class C250
- Stainless steel screws for fixing the grid to the drain, 8 pcs
- Drain body with metal frame



Order number, Logistic information

Code	EAN	Weight (kus packing palett)	Dimensions (piece packing)	Quantity (packing palett)
AVZ103-R202	8595580547257	11,4892 0,0000 358,1960 kg	148x1015x143 mm	1 30 pcs

Guarantee	Customs code	Norms
2/6 years	39269097	EN1433

Technical specifications

- Total installation height 148 mm
- Waste pipe diameter 110 mm
- Flow profile of the drain 95,34 cm²
- Load class C250 25000 kg
- Inlet cross-section of the cast iron grid 433,774 cm²